

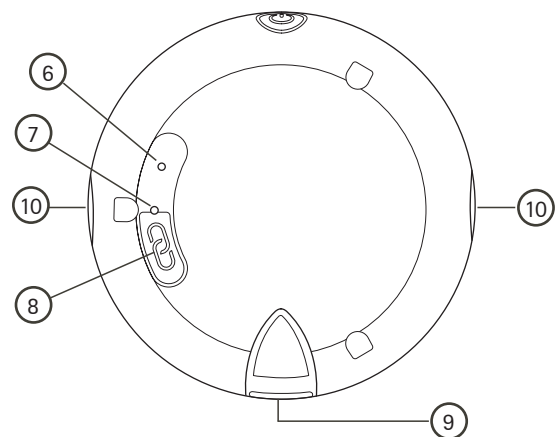
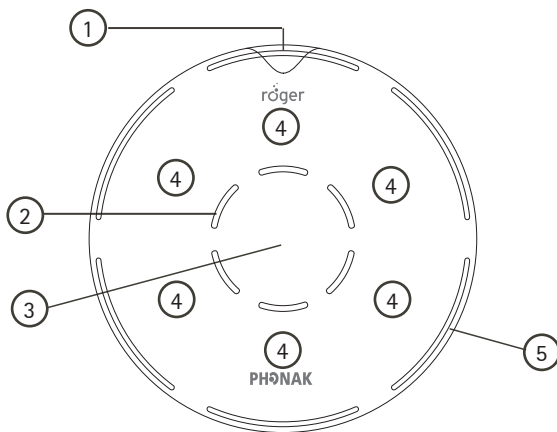
Phonak

Roger Select™ iN

Roger Select iN is a versatile microphone ideal for stationary situations where background noise is present. When placed on a table, it discreetly and automatically selects the person who is talking and seamlessly switches from one talker to another. When multiple conversations take place, the listener can manually select whom to listen to. It can also transmit the sound of multimedia devices e.g. T.V.

Technical Data

Type	Roger microphone
Dimensions (Ø x H)	55 x 12 mm (2.17 x 0.46")
Weight	28 g (1 oz)
Color options	Champagne, Pearl White, Graphite Gray
Included accessories	Power supply with USB cable, Docking station, optical audio cable, Clip, Lanyard, Pouch
Operating conditions	0° to +40° Celsius (+32° to +104° Fahrenheit) Relative humidity of <90% (non-condensing)
Transport and storage conditions	-20° to +60° Celsius (-4° to +140° Fahrenheit) Relative humidity of <90% for a long period of time



Device description

1	On/off button incl. battery status light
2	Microphones and center indicator lights
3	Center touch key
4	Six steering touch keys
5	Microphone mode indicator lights

6	Install button (for HCP only)
7	Back indicator light
8	Connect button
9	Micro-USB socket
10	Slots for lanyard and clip



A Sonova brand

PHONAK
life is on

Features

- Proven Roger speech-in-noise performance
- MultiBeam Technology
- Table mode, Selection mode, Lapel mode
- Audio input for multimedia
- Multiple microphone use in a network (MultiTalker Network)

Roger installation

Roger Select iN contains two Roger receivers that can be installed into a pair (two) of hearing devices with RogerDirect™.

Microphone characteristics

Number of microphones	3
Microphone modes	Table mode, Selection mode, Lapel mode

Radio information

Streaming technology	Roger technology
Frequency range	2.4 GHz ISM band including adaptive automatic frequency hopping
RF power	100 mW max.
Transmission range (clear line of sight, free field)	Up to 50 meters / 165 feet (to hearing device with RogerDirect) Up to 25 meters / 80 feet (to Roger receiver)

Audio information

Audio input	Analog via micro-USB socket
Audio bandwidth	100 Hz – 7.3 kHz

Power supply

Type	DC, stabilized
Primary voltage	100-240 V
Secondary voltage	5 VDC
Max. current	1.0 A
Plug	micro-USB
Important notice	Only use the original USB Phonak power supply 5VDC, >500 mA

Battery

Type	Lithium Polymer
Capacity	400 mAh
Voltage	3.7 V
Operating time	8 hours

Receiver compatibility

Compatible Roger receivers	All personal Roger receivers, except SoundField
Max. connected receivers	Unlimited

Microphone compatibility (MultiTalker Network)

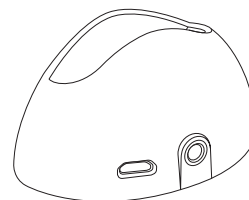
A Roger Select in a MultiTalker Network functions only in lapel mode (hanging around the neck or clipped on the chest)

Compatible Roger microphones	Roger Select, Roger Select iN, Roger Table Mic II, Roger Table Mic II iN, Roger On, Roger On iN and Roger Clip-On Mic
Max. connected microphones	Up to 10

Standards

Europe	EN 300 328, EN 301 489, EN 62368-1, IEC/EN 62311
Canada	RSS-247, RSS-102
Japan	ARIB-T66
USA	CFR 47, part 15.247, FCC OET Bulletin No.65

Docking station



Audio input (3.5 mm socket)	- Analog
-----------------------------	----------